

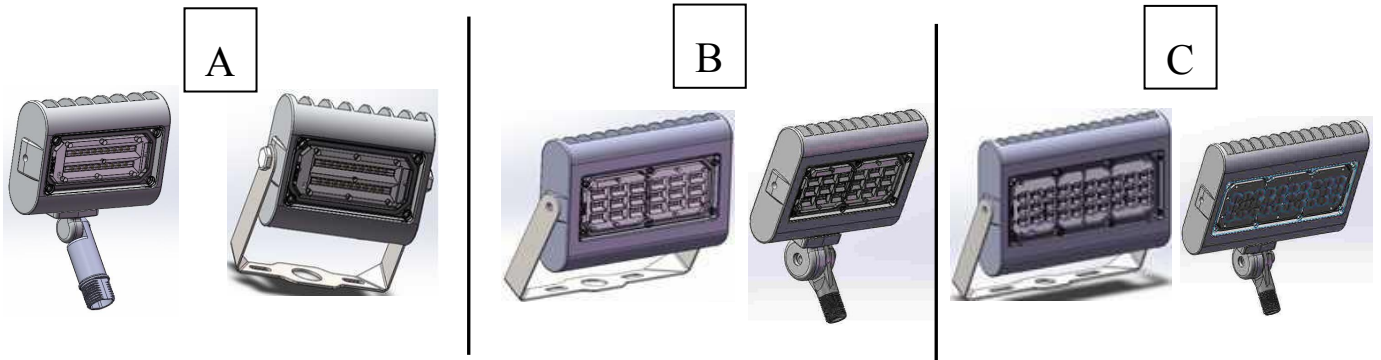
SERIES:

CLF4-15PXYYZZ;CLF4-30PXYYZZ;CLF4-30PXYYZZ

Model number parameter list:

Item	Model	Input Voltage	Power Factor	Watt	Input Current	Net Weight
A	CLF4-15PXYYZZ	100-277VAC	≥0.9	15W	0.18A	0.42kg
B	CLF4-30PXYYZZ	100-277VAC		30W	0.35A	1.2kg
C	CLF4-50PXYYZZ	100-277VAC		50W	0.6A	1.6kg

APPLICATION ITEMS



1. Suitable for use in the following locations:

- Ambient Temp: -20~+40°C
- Wet Locations

Note: Save these instructions for future reference.

2. Installation

CAUTION – RISK OF FIRE MIN 75 °C SUPPLY CONDUCTOR

- This product should be installed, inspected, and maintained by a qualified electrician only, in accordance with all applicable electrical codes.

CAUTION – RISK OF SHOCK DISCONNECT POWER BEFORE SERVICING

- Luminaire must be connected to a wiring system with an equipment-grounding conductor.

Warning:

To avoid explosion:

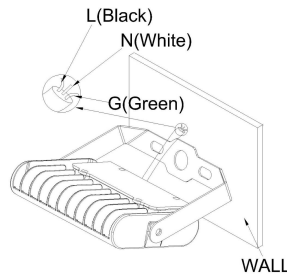
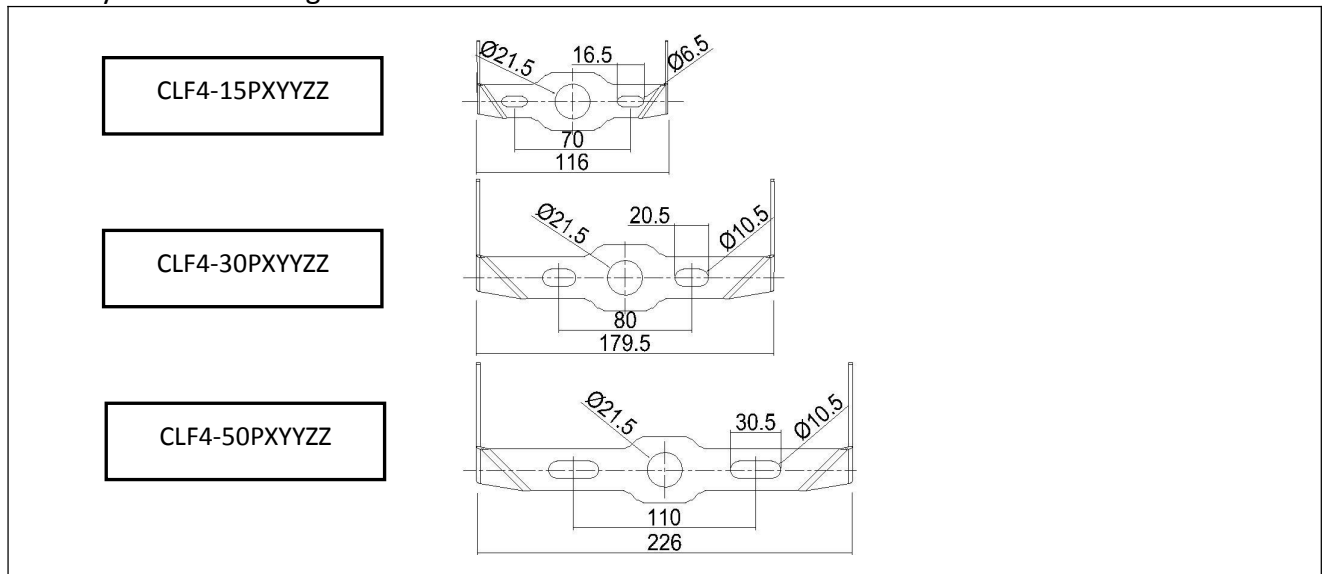
- Make sure the supply voltage is the same as the rated luminaire voltage.
- Do not install where the marked operating temperatures exceed the ignition temperature of the hazardous atmosphere.
- Do not operate in ambient temperatures above those indicated on the luminaire nameplate.
- Keep lens tightly closed when in operation.

No serviceable parts.

Installation Steps:

Refer to the following diagram when you install the fixture.

1. Directly fix to mounting surface

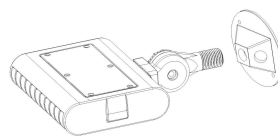


1. Use expansion bolts to secure the fixture on mounting surface.

2. Keep enough length wires to ensure adjusting angle unhindered.

Connect wires into wiring terminal; white wire to “Neutral” terminal, black wire to “Live” terminal, green wire to “Ground” terminal; and fix them by screws.

2. Mounting with a knuckle



Secure service wire or conduit to the wiring compartment cover with 1/2” connector (not provided). Connect white fixture wire to white supply wire, black fixture wire to black supply wire. Service ground should be attached to green ground screw provided. Ground must be properly attached to avoid the risk of electrical shock. Use wire nuts, crimp-on lugs, or other approved devices to connect all wires, make sure connections are secure and that no loose wire strands are sticking out of connectors, Secure wiring compartment cover to fixture. With black and white connections inside the wiring compartment. Use UL and CUL Listed flexible steel waterproof conduit in trade sizes 1/2 and UL and CUL Listed Water-proof outlet box cover.

After installation, please

- Check whether the lighting fixture is firmly fixed.
- Check whether wires are connected correctly.
- **At last, turn on the power, and check if the lighting fixture works well. If not, please turn off the power and contact with local dealer.**