

Warning / Avertissement

MIN 90 °C SUPPLY CONDUCTORS

THIS PRODUCT MUST BE INSTALLED IN ACCORDANCE WITH THE APPLICABLE INSTALLATION CODE BY A PERSON FAMILIAR WITH THE CONSTRUCTION AND OPERATION OF THE PRODUCT AND THE HAZARDS INVOLVED

LES FILS D'ALIMENTATION 90 °C MIN

CE PRODUIT DOIT ÊTRE INSTALLÉ SELON LE CODE D'INSTALLATION PERTINENT, PAR UNE PERSONNE QUI CONNAÎT BIEN LE PRODUIT ET SON FONCTIONNEMENT AINSI QUE LES RISQUES INHÉRENTS

LED Linear High Bay Installation Instruction

Cautions:

1. Can not use the electric generator to test the LED light.
2. Please abide by related country, regional and local law and regulations when install this fixture.
3. Please turn off the power before installation or maintenance.
4. Proper earth grounding is required to ensure safety.

Notice:

1. To avoid possibility of electrical shock or fire, the installation personnel must have professional electric knowledge.
2. Please wear gloves to avoid injury before installation.
3. If any smoke or spark of the wire happened, please turn off the power immediately and notify relevant personnel.
4. Please use listed strain relief bushing when connecting the supply cord to the outlet box.

Attention:

1. Please check if there is any damage during shipping. If so, please contact manufacturer timely.
2. Please read the installation instruction carefully to check whether all the accessories are complete. After confirmation, then install the fixture according to installation steps.

Wiring Diagram & Instruction:

3 dimming functions are available in this high bay light:

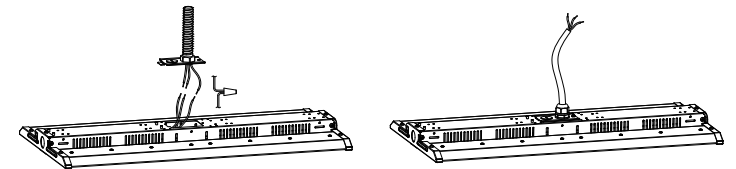
1. Constant current can be achieved by 0-10VDC dimming;
2. PWM signal dimming;
3. Variation of resistance unit dimming.

Description:	
This product is 0/1-10V dimming, below dimmers are recommended:	
Brand	Model
LUTON	NTSTV-DV
LEVITON	DS710-10Z / IP710
LEGRAND	RH4FBL3PW

Wiring Instruction

L:Black,
N:White,
⊕ : Green/Yellow
DIM +
DIM -

(As for the wire color of DIM+ and DIM-, pls check the light label.)



Please choose the appropriate dimming way according to your needs. You can also choose not to use this function.

*The product can not be connected to a dimming device when it's equipped with Motion Sensor.

Three Installation: Chain/Cable installation, 3/4" NPT Installation, Surface Mounting
(Please choose the most suitable installation method for the purchased product as per your needs)

A. Hanging Installation: (Chain/Cable)

- Step1. Hook up the chain; (Figure 1)
 Step2. Connect the chain with fixture; (Figure 1)
 Step3. Fix the chain on the rail, adjust the chain length as per need; (Figure 1)
 Step4. After the fixing , choose suitable wiring knock out, do wiring according to local standard and code.

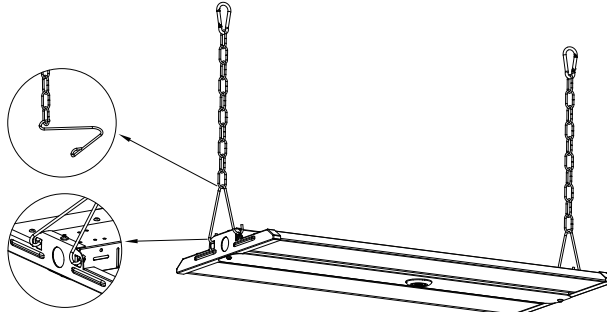


Figure 1

B. 3/4"NPT Installation: (If this bracket is used for the fixture, backup driver solution cannot be chosen)

- Step1. Mount the bracket on 3/4"NPT (Figure 2);
 Step2. Lock fixture on the bracket (Figure 3);
 Step3. Do wiring according to local standard and code.
 Step4 Lock side brackets with screw driver (Figure 4).



Figure 2

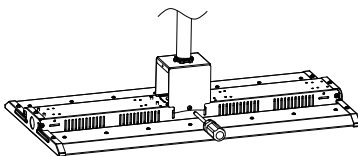


Figure 3

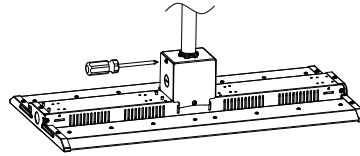


Figure 4

Extra Accessory Option Installation: 1. Motion Sensor

1. DC Motion Sensor

- Step1. Remove the sensor cover of the fixture with screwdriver (Figure 5).
 Step2. Screw in the motion sensor (Figure 6).

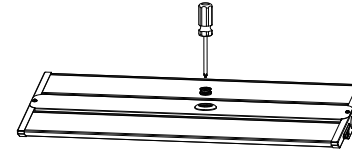


Figure 5

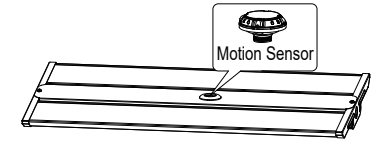


Figure 6