

MODELS:

TLHBP100PXYYZZ-TN; TLHBP150PXYYZZ-TN; TLHBP200PXYYZZ-TN; TLHBP230PXYYZZ-TN; TLHBP300PXYYZZ-TN;
 TLHBP100PHXYYZZ; TLHBP150PHXYYZZ; TLHBP150PHXYYZZ-S; TLHBP230PHXYYZZ; TLHBP300PHXYYZZ-S;

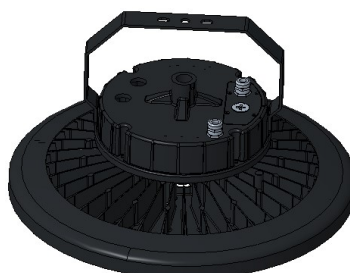
Model number parameter list:

Item	Model	Input Voltage	Power Factor	Watts	Input Current
A	TLHBP100PXYYZZ-TN	100-277VAC	>0.9	100W	1.0A
B	TLHBP100PHXYYZZ	277-480VAC		100W	0.5A
C	TLHBP150PXYYZZ-TN	100-277VAC		150W	1.8A
D	TLHBP150PHXYYZZ	277-480VAC		150W	0.8A
E	TLHBP150PHXYYZZ-S	277-480VAC		150W	1.6A
F	TLHBP200PXYYZZ-TN	100-277VAC		200W	2.4A
G	TLHBP230PXYYZZ-TN	120-277VAC		230W	3.5A
H	TLHBP230PHXYYZZ	277-480VAC		230W	1.5A
I	TLHBP300PXYYZZ-TN	100-277VAC		300W	3.5A
J	TLHBP300PHXYYZZ-S	277-480VAC		300W	4A

“X” represents color temperature, where may be: 3 - 3000K, 4 - 4000k, 5 - 5000k, 6 - 5700K; “YY” represents mounting type, where may be: PD – Pendant, YK – Yoke; “ZZ” represents housing color, where may be: WH – White, BK – Black, GY – Gray; 90 - 90 Angle Optical Lens; 60-60 Angle Optical lens.

WARNINGS

- ◆ Observe all precautions usually followed when dealing with high voltage equipment when installing or servicing this light fixture.
- ◆ Disconnect power before installing or servicing.
- ◆ The product must be installed in accordance with the applicable installation code by a person familiar with the construction and operation of the product and the hazards involved.
- ◆ Protect all wiring connections with approved insulators rated 600V/150°C.
- ◆ Line voltage must be 100V–277V AC/277-480VAC 50/60Hz according to the different models to select the corresponding voltage.
- ◆ **SAVE THESE INSTRUCTIONS FOR FUTURE REFERENCE**
- ◆ Upon receipt of this fixture, thoroughly inspect it for any damage. If any is



I. Hook/Ring mount

1. Find the accessories as Fig. 1 shows from bags. (Hook:Hook the middle hole to ensure seal)

2. Install the hook/ring on fixture. See Fig. 2

3. Hang/Ring the fixture on suitable mounting place. See Fig. 3.

4. Wiring connection:

Connect wires into wiring terminal; White / Blue wire to "Neutral" terminal, Black / Brown wire to "Live" terminal, yellow green wire to "Ground" terminal. See Fig. 11.

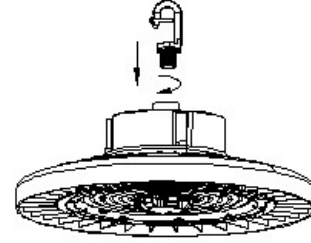
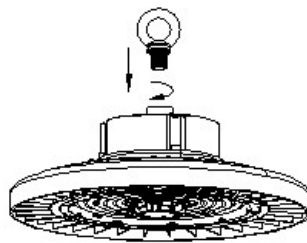
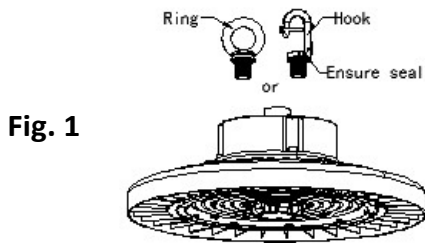


Fig. 2

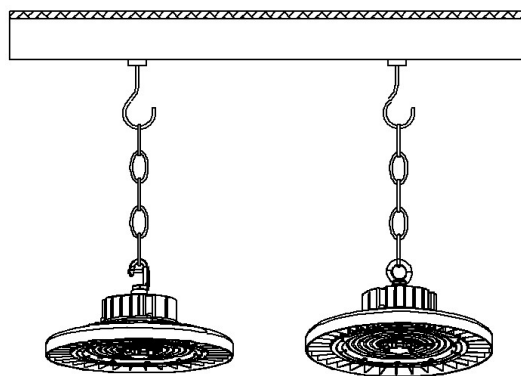


Fig. 3

II. Yoke mount

1. Find the screws and washers as Fig. 4 shows from accessory bags.

2. Install the yoke to the fixture. See Fig. 5.

3. Fix the fixture on mounting surface. See Fig. 6.

4. Wiring connection:

Connect wires into wiring terminal; White wire to White Black to Black green wire to "Ground" terminal. See Fig. 11.

Fig. 4

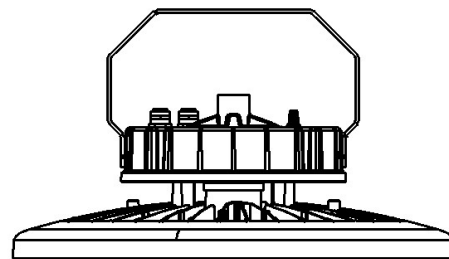
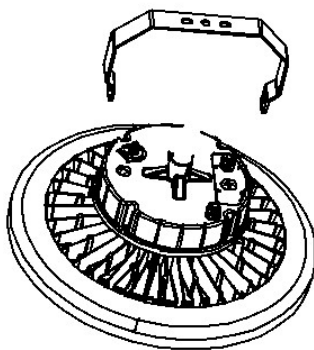
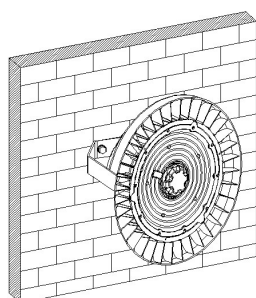


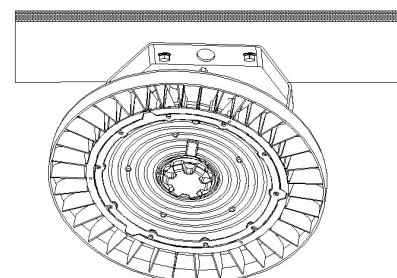
Fig. 5

III.



Pipe Mount

Fig. 6



1. Find the 3/4" NPS adaptor from accessory bag as Fig. 7 shows (Pipe is not provided. Please choose a proper pipe with 3/4" NPS thread), install the 3/4" adaptor on fixture. See Fig. 8.
2. Screw one side of the pipe into the 3/4" NPS adaptor, secure another side to the of mounting position. See Fig.9
3. Wiring connection:
Connect wires into wiring terminal; White wire to White Black to Black green wire to "Ground" terminal. See Fig. 12.

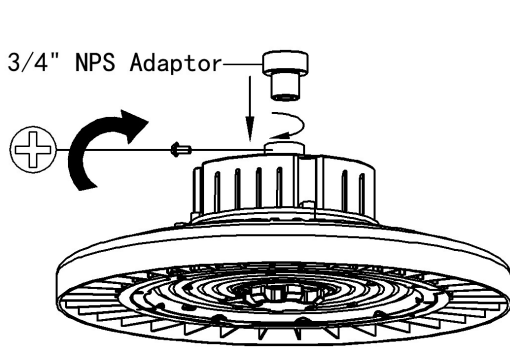


Fig. 7

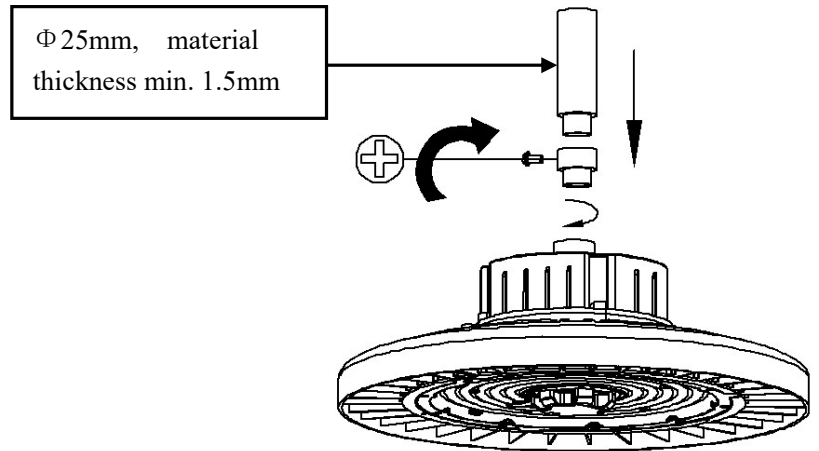


Fig. 8

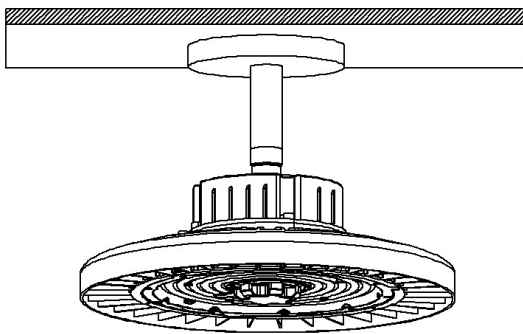


Fig. 9

Reflector installation:

1. M4*8 (3PCS) screw group solid ,above the inverted lamp body.
2. Put the reflector on fixture, let the screws through the slots on reflector. Twist the reflector to block it and tighten the screws. See Fig. 10
3. If a bottom cover (sold separately) needed, fix it on the bottom by 3 screws (provided with the bottom cover).

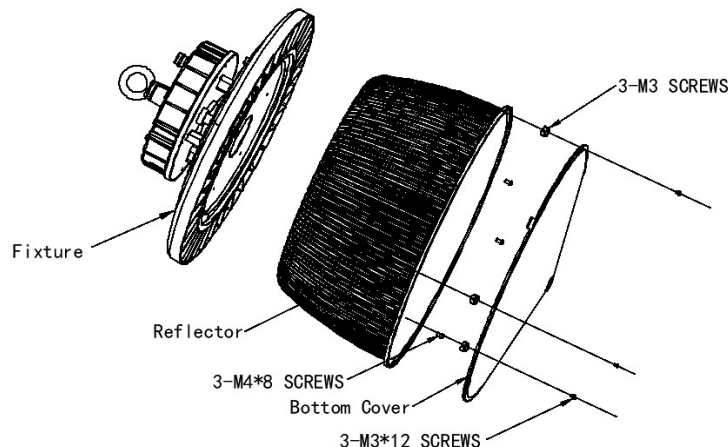


Fig. 10

IV Function description of Wattage Tunable:

If the luminaire is designed to be wattage tunable. Please unscrew the knob cap before using the watt selectable function. According to the watt selectable label shown in Fig. 11, please toggle the DIP switch 1,2,3 to select the corresponding watt. Screw the knob cap after using the watt selectable function.

V CCT Tunable Function:

If you need to adjust the color temperature, please loosen the waterproof cap, rotate the CCT tunable knob to select the corresponding CCT, and tighten the knob cap after debugging. Pls see Figure 11 for details

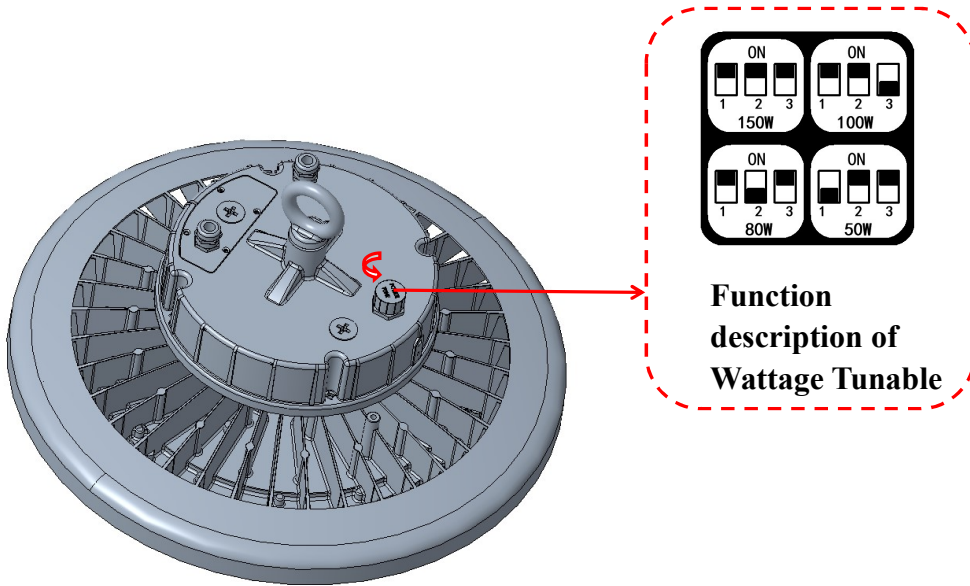


Fig .11

Wiring Diagrams:

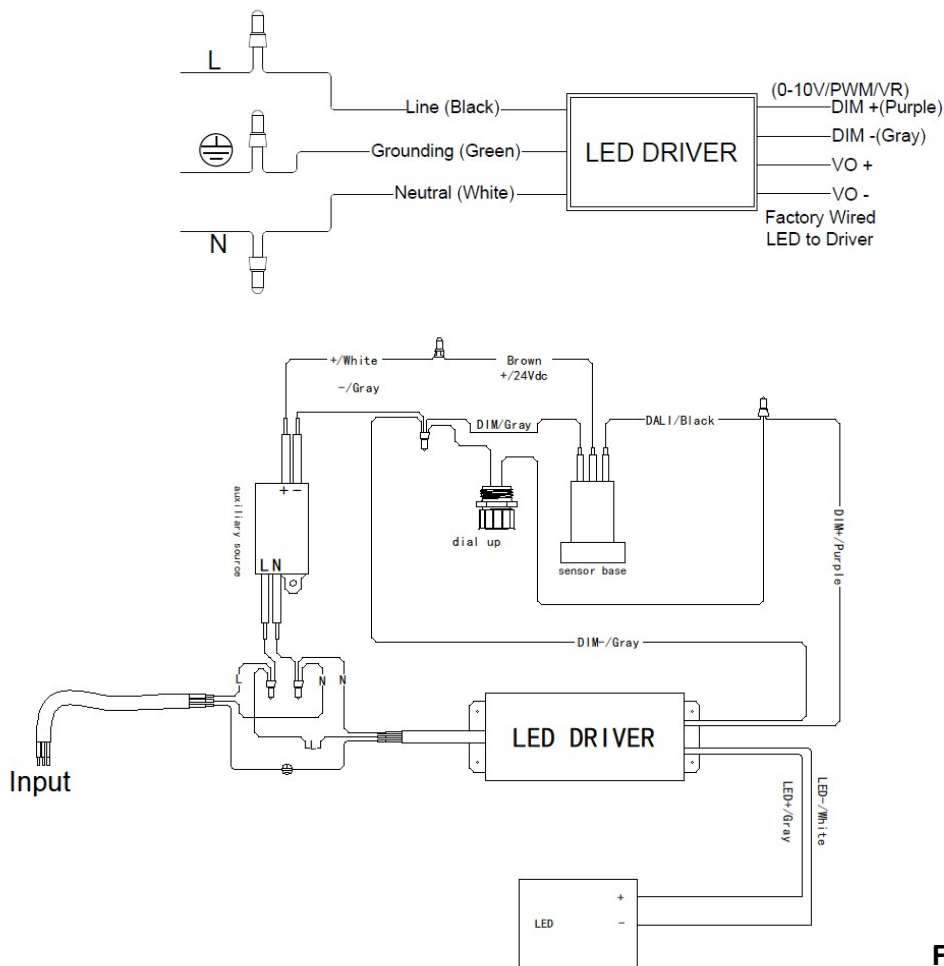


Fig .12

After installation, please.

- Check whether the lighting fixture is firmly fixed.
- Check whether wires are connected correctly.

At last, turn on the power, and check if the lighting fixture works well. If not, please turn off the power and contact with your sales representative.